

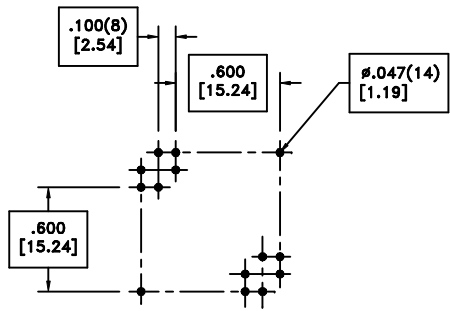
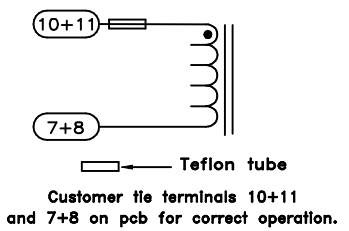
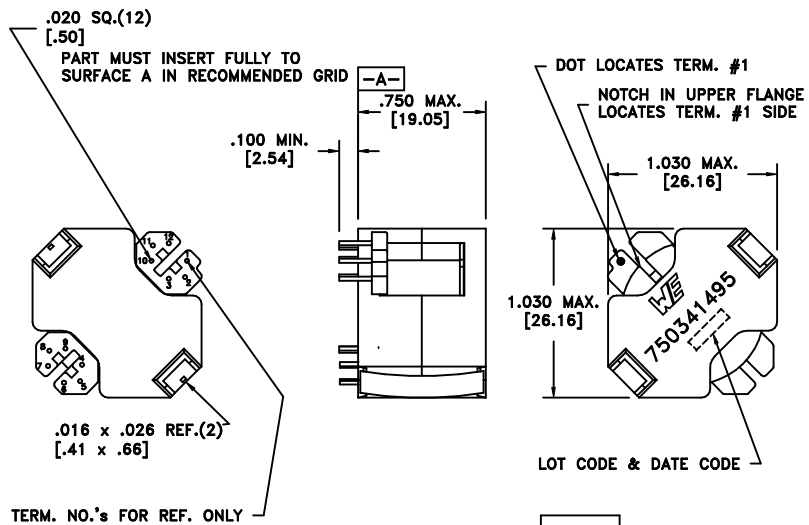
CUSTOMER TERMINAL	RoHS	LEAD(Pb)-FREE
Sn96Ag4	Yes	Yes

more than you expect



**ELECTRICAL SPECIFICATIONS @ 25°C unless otherwise noted:**

PARAMETER	TEST CONDITIONS	VALUE
D.C. RESISTANCE	10-7 tie(10+11,7+8), @20°C	0.116 ohms max.
INDUCTANCE	10-7 tie(10+11,7+8), 10kHz, 100mVAC, Ls	40uH ±10%



RECOMMENDED P.C. PATTERN, COMPONENT SIDE

Wire insulation & RoHS status not affected by wire color.  
Wire insulation color may vary depending on availability.

REV.	DATE	Packaging Specifications Method: Tray PKG-0002 www.we-online.com/midcom		Tolerances unless otherwise specified: Angles: ±1°      Decimals: ±.005 [.13] Fractions: ±1/64      Footprint: ±.001 [.03]	DRAWING TITLE <b>INDUCTANCE</b>	PART NO. <b>750341495</b>
00	6/12	SEE REVISION SHEET FOR REVISION LEVEL	CONVENTION PLACEMENT	This drawing is dual dimensioned. Dimensions in brackets are in millimeters.	eiSos p/n: 750341495	SPECIFICATION SHEET 1 OF 1