

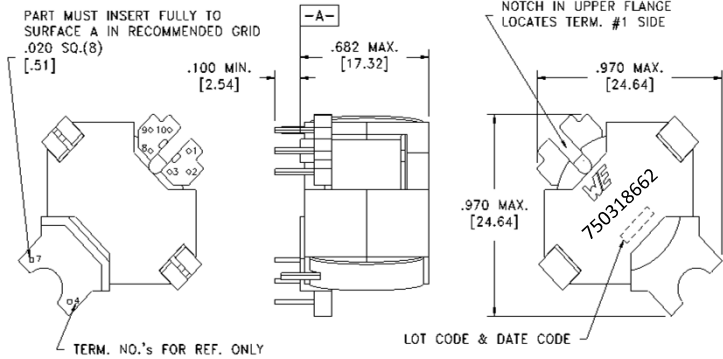
CUSTOMER TERMINAL	RoHS	LEAD(Pb)--FREE
Sn 96%, Ag 4%	Yes	Yes

more than you expect

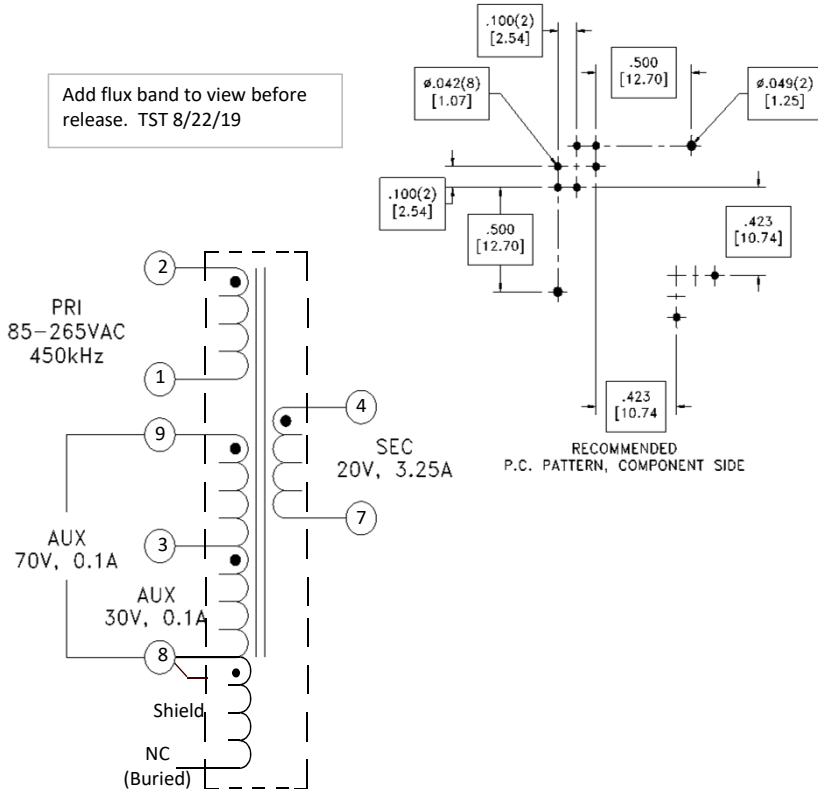


ELECTRICAL SPECIFICATIONS @ 25° C unless otherwise noted:

PARAMETER	TEST CONDITIONS	VALUE
D.C. RESISTANCE	2-1 @20°C	0.120 ohms ±20%
D.C. RESISTANCE	4-7 @20°C	0.010 ohms max.
D.C. RESISTANCE	9-3 @20°C	0.510 ohms ±10%
D.C. RESISTANCE	3-8 @20°C	0.375 ohms ±10%
INDUCTANCE	2-1 450kHzHz, 100mV, Ls	75.00µH ±10%
LEAKAGE INDUCTANCE	2-1 tie(4+7,9+3+8), 100kHz, 100mV, Ls	1.6µH typ., 3.0µH max.
DIELECTRIC	2-4 tie(2+3), 3750VAC, 1 second	
DIELECTRIC	2-3 625VAC, 1 second	
URNS RATIO	(2-1):(4-7)	5.5:1, ±1%
URNS RATIO	(2-1):(9-3)	3.14:1, ±1%
URNS RATIO	(2-1):(3-8)	4.4:1, ±1%



Add flux band to view before release. TST 8/22/19



GENERAL SPECIFICATIONS:

OPERATING TEMPERATURE RANGE: -40°C to +125°C including temp rise.

Designed to comply with the following requirements as defined by IEC60950-1, EN60950-1, UL60950-1/CSA60950-1 and AS/NZS60950.1:

- Reinforced insulation for a primary circuit at a working voltage of 265Vrms, 400Vpeak, OVC II, Pollution Degree 2.

REFERENCE DESIGN

Wire insulation & RoHS status not affected by wire color. Wire insulation color may vary depending on availability.

DFM	Packaging Specifications	<p>CONVENTION PLACEMENT</p>	Tolerances unless otherwise specified:	DRAWING TITLE	PART NO.
DATE	Method: Tray		Angles: ±1° Decimals: ±.005 [.13]	<p>This drawing is dual dimensioned. Dimensions in brackets are in millimeters.</p>	<p>TRANSFORMER</p>
ENG	PKG-0027	Fractions: ±1/64 Footprint: ±.001 [.03]	SPECIFICATION SHEET 1 OF 1		
REV.	04				
DATE	6/11/2020	www.we-online.com/midcom			