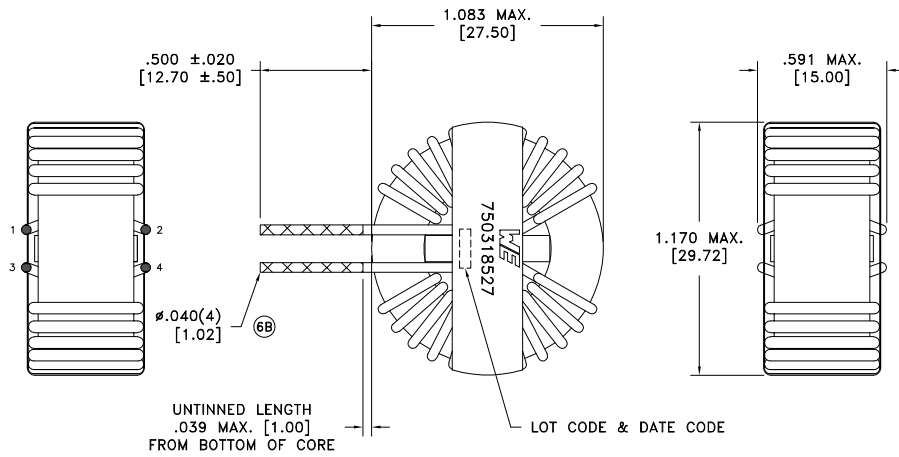


CUSTOMER TERMINAL	RoHS	LEAD(Pb)-FREE
Sn96%, Ag4%	Yes	Yes



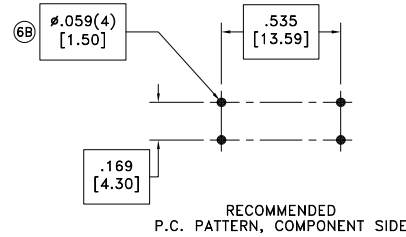
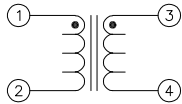
ELECTRICAL SPECIFICATIONS @ 25°C unless otherwise noted:

PARAMETER	TEST CONDITIONS	VALUE
D.C. RESISTANCE	1-2 @20°C	0.015 ohms max.
D.C. RESISTANCE	3-4 @20°C	0.015 ohms max.
INDUCTANCE	1-2 10kHz, 100mVAC, Ls	900uH min.
INDUCTANCE	3-4 10kHz, 100mVAC, Ls	900uH min.
DIELECTRIC	1-3 1250VAC, 2 seconds	-
TURNS RATIO	(1-2):(3-4)	1:1, ±1%

GENERAL SPECIFICATIONS:

OPERATING TEMPERATURE RANGE: -40°C to +85°C.

CURRENT RATING: 7A



DETAILS SUBJECT TO CHANGE

REV.	DATE	Packaging Specifications Method: Tray PKG-1212 www.we-online.com/midcom		Tolerances unless otherwise specified: Angles: ±1° Fractions: ±1/64 Decimals: ±.005 [.13] Footprint: ±.001 [.03]	DRAWING TITLE INDUCTOR COMMON MODE CHOKE	PART NO. 750318527
6B	4/20	SEE REVISION SHEET FOR REVISION LEVEL		This drawing is dual dimensioned. Dimensions in brackets are in millimeters.	eiSos p/n: 750318527	
6A	11/19					SPECIFICATION SHEET 1 OF 1