

| | | |
|-------------------|------|---------------|
| CUSTOMER TERMINAL | RoHS | LEAD(Pb)-FREE |
| Sn96%, Ag4% | Yes | Yes |

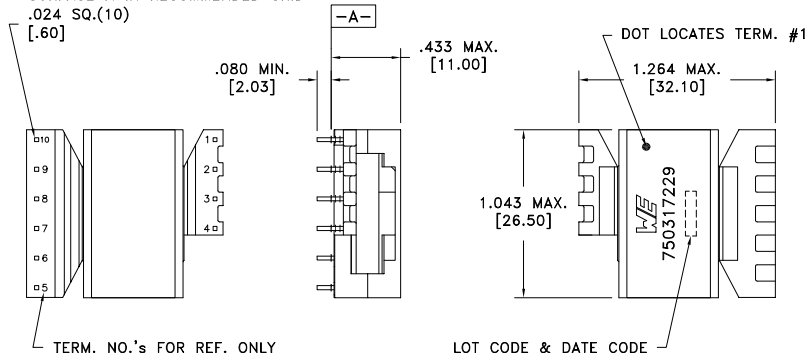
more than you expect



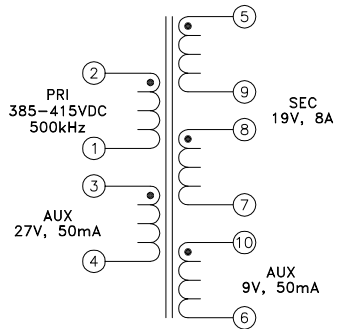
ELECTRICAL SPECIFICATIONS @ 25°C unless otherwise noted:

| PARAMETER | TEST CONDITIONS | VALUE |
|--------------------------|---|--------------------------|
| D.C. RESISTANCE | 2-1 @20°C | 0.140 ohms ±10% |
| D.C. RESISTANCE | 3-4 @20°C | 0.190 ohms ±15% |
| D.C. RESISTANCE | 5-9 @20°C | 0.008 ohms max. |
| D.C. RESISTANCE | 8-7 @20°C | 0.008 ohms max. |
| D.C. RESISTANCE | 10-6 @20°C | 0.093 ohms ±15% |
| INDUCTANCE | 2-1 10kHz, 100mVAC, Ls | 190.00uH ±10% |
| SATURATION CURRENT | 2-1 20% rolloff from initial | 2.3A |
| LEAKAGE INDUCTANCE | 2-1 tie(3+4, 5+6+7+8+9+10), 100kHz, 100mVAC, Ls | 4uH typ., 8uH max. |
| DISTRIBUTED CAPACITANCE | 2-1 100mVAC, Cs | 20.0pF typ., 35.0pF max. |
| INTERWINDING CAPACITANCE | 2-5 tie(8+9), 100kHz, 10mVAC, Cs | 32.0pF typ., 50.0pF max. |
| 6B DIELECTRIC | 1-10 tie(2+3, 5+6+7), 3000VAC, 1 minute | 3000VAC, 1 second |
| 6B DIELECTRIC | 1-Core tie(2+3+5+6+7), 500VAC, 1 second | - |
| URNS RATIO | (2-1):(3-4) | 7.33:1, ±1% |
| URNS RATIO | (2-1):(5-9) | 11:1, ±1% |
| URNS RATIO | (2-1):(8-7) | 11:1, ±1% |
| URNS RATIO | (2-1):(10-6) | 22:1, ±1% |

PART MUST INSERT FULLY TO SURFACE A IN RECOMMENDED GRID .024 SQ.(10) [.60]

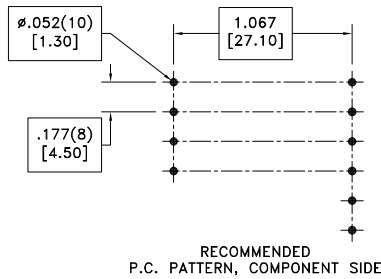


LOT CODE & DATE CODE



Customer to tie terminals 8+9 on PC board.

Application of the transformer allows for the leadwires between terminals 8&9 to solder bridge.



RECOMMENDED P.C. PATTERN, COMPONENT SIDE

GENERAL SPECIFICATIONS:

OPERATING TEMPERATURE RANGE: -40°C to +125°C including temp rise.

Designed to comply with the following requirements as defined by IEC60950-1, EN60950-1, UL60950-1/CSA60950-1 and AS/NZS60950.1:

- Reinforced insulation for a primary circuit at a working voltage of 265Vrms, 400Vpeak, Overvoltage Category II.

Wire insulation & RoHS status not affected by wire color. Wire insulation color may vary depending on availability.

| | | | | | | |
|------|-------|--|--|--|-------------------------------------|------------------------------|
| REV. | DATE | Packaging Specifications Method: Tray PKG-1189 www.we-online.com/midcom | | Tolerances unless otherwise specified: Angles: ±1° Fractions: ±1/64 Decimals: ±.005 [.13] Footprint: ±.001 [.03] | DRAWING TITLE TRANSFORMER | PART NO. 750317229 |
| 6B | 4/19 | | | This drawing is dual dimensioned. Dimensions in brackets are in millimeters. | eiSos p/n: 750317229 | compliant RoHS |
| 6A | 10/18 | SEE REVISION SHEET FOR REVISION LEVEL | | | | SPECIFICATION SHEET 1 OF 1 |