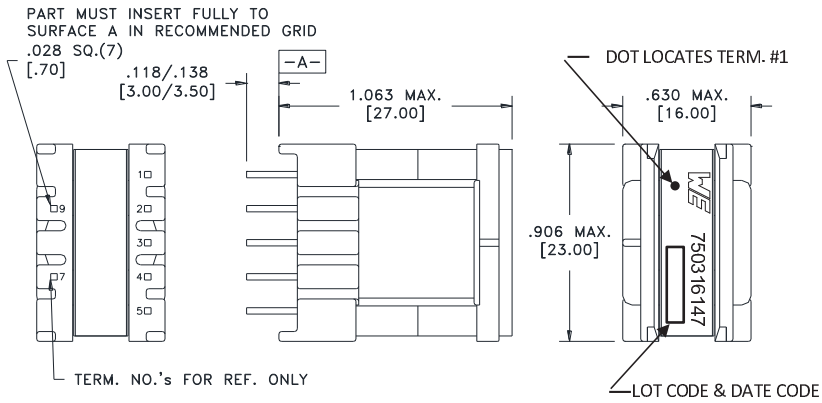


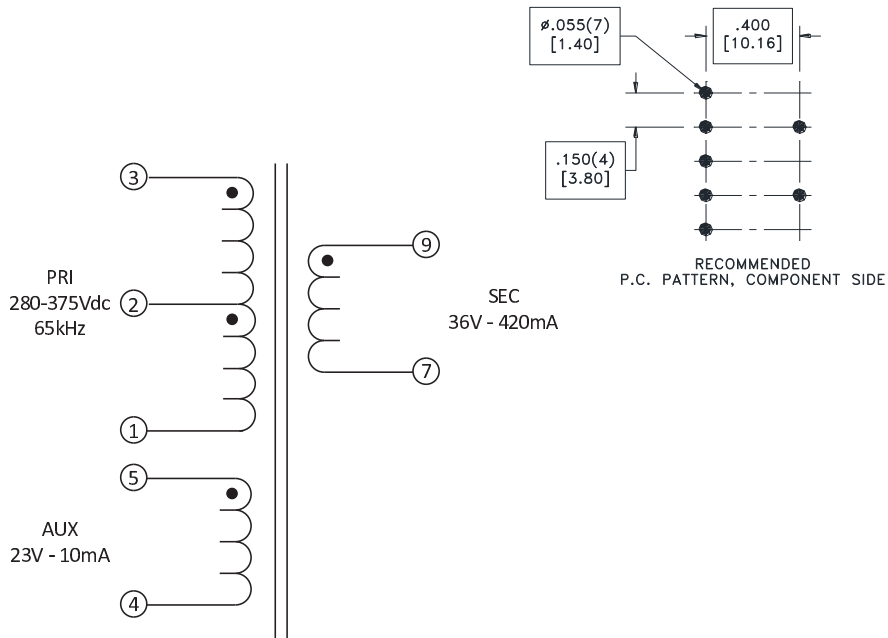
CUSTOMER TERMINAL	RoHS	LEAD(Pb)--FREE
Sn 96%, Ag 4%	Yes	Yes

more than you expect



ELECTRICAL SPECIFICATIONS @ 25° C unless otherwise noted:

PARAMETER	TEST CONDITIONS	VALUE
D.C. RESISTANCE	1-3 @20°C	1.17 ohms ±10%
D.C. RESISTANCE	4-5 @20°C	0.700 ohms ±10%
D.C. RESISTANCE	7-9 @20°C	0.380 ohms ±10%
INDUCTANCE	1-3 10kHz, 100mV, Ls	2.20mH ±10%
SATURATION CURRENT	1-3 20% rolloff from initial	550mA
LEAKAGE INDUCTANCE	1-3 tie(4+5, 7+9), 100kHz, 100mV, Ls	12µH typ., 20µH max.
DIELECTRIC	1-9 tie(3+4), 4000VAC, 1 second	4000VAC, 1 minute
DIELECTRIC	1-5 625VAC, 1 second	
TURNS RATIO	(3-1):(5-4)	4.56:1, ±1%
TURNS RATIO	(3-1):(9-7)	3:1, ±1%
Q	1-3 100 kHz, 100mV	150 min.



GENERAL SPECIFICATIONS:

OPERATING TEMPERATURE RANGE: -40°C to +125°C including temp rise.

Designed to comply with the following requirements as defined by IEC61347:

- Reinforced insulation for a primary circuit at a working voltage of 265Vrms, 375Vpeak.

REFERENCE DESIGN

Wire insulation & RoHS status not affected by wire color. Wire insulation color may vary depending on availability.

DFM	SP	Packaging Specifications	 CONVENTION PLACEMENT	Tolerances unless otherwise specified: Angles: ±1° Decimals: ±.005 [.13] Fractions: ±1/64 Footprint: ±.001 [.03]	DRAWING TITLE	PART NO.
DATE	3/15/2016	Method: Tray PKG-1034		This drawing is dual dimensioned. Dimensions in brackets are in millimeters.	TRANSFORMER	750316147
ENG	LJG					SPECIFICATION SHEET 1 OF 1
REV.	01					
DATE	3/24/2017	www.we-online.com/midcom				