

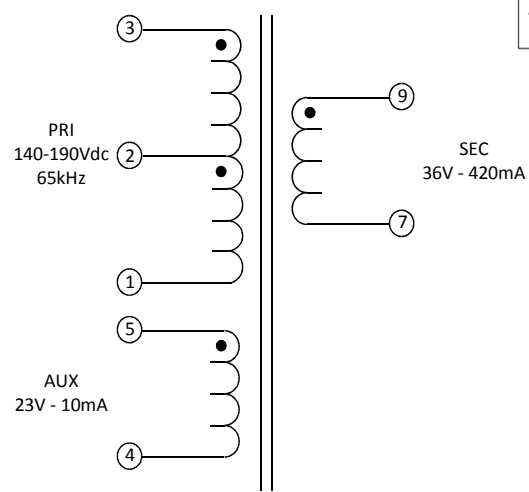
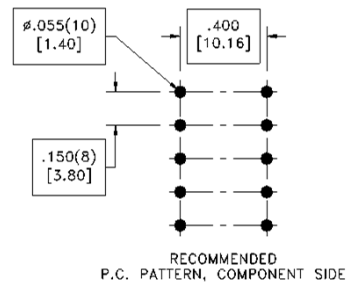
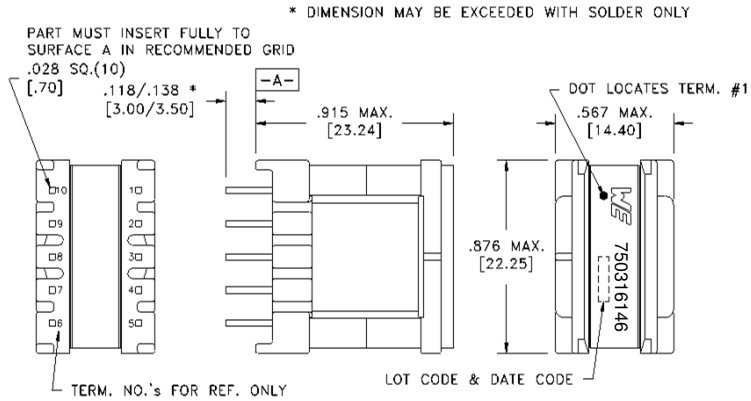
CUSTOMER TERMINAL	RoHS	LEAD(Pb)--FREE
Sn 96%, Ag 4%	Yes	Yes

more than you expect



ELECTRICAL SPECIFICATIONS @ 25° C unless otherwise noted:

PARAMETER	TEST CONDITIONS	VALUE
D.C. RESISTANCE	1-3 @20°C	1.20 ohms ±10%
D.C. RESISTANCE	4-5 @20°C	0.760 ohms ±10%
D.C. RESISTANCE	7-9 @20°C	0.210 ohms ±10%
INDUCTANCE	1-3 10kHz, 100mV, Ls	1.20mH ±10%
SATURATION CURRENT	1-3 20% rolloff from initial	900mA
LEAKAGE INDUCTANCE	1-3 tie(4+5, 7+9),100kHz, 100mV, Ls	11µH typ., 20µH max.
DIELECTRIC	1-9 tie(3+4), 3000VAC, 1 second	3000VAC, 1 minute
DIELECTRIC	1-5 625VAC, 1 second	
URNS RATIO	(3-1):(5-4)	4.57:1, ±1%
URNS RATIO	(3-1):(9-7)	3:1, ±1%
Q	1-3 100 kHz,100mV	150 min.



GENERAL SPECIFICATIONS:

OPERATING TEMPERATURE RANGE: -40°C to +125°C including temp rise.

Designed to comply with the following requirements as defined by IEC61347:

- Reinforced insulation for a primary circuit at a working voltage of 150Vrms, 200Vpeak.

REFERENCE DESIGN

Wire insulation & RoHS status not affected by wire color. Wire insulation color may vary depending on availability.

DFM	SP	Packaging Specifications	<p>CONVENTION PLACEMENT</p>	<p>Tolerances unless otherwise specified:</p> <p>Angles: ±1° Decimals: ±.005 [13]</p> <p>Fractions: ±1/64 Footprint: ±.001 [03]</p>	<p>DRAWING TITLE</p> <p>TRANSFORMER</p>	<p>PART NO.</p> <p>750316146</p>
DATE	3/15/2016	Method: Tray				
ENG	LJG	PKG-0846				
REV.	00					
DATE	3/14/2017					