

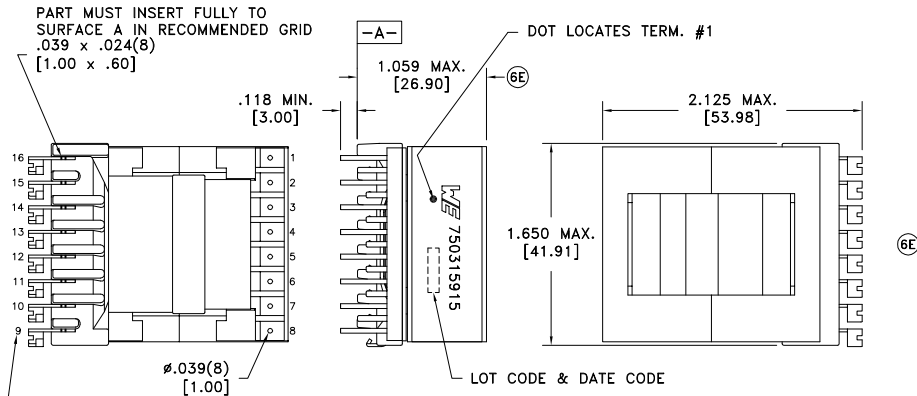
CUSTOMER TERMINAL	RoHS	LEAD(Pb)-FREE
Sn96%, Ag4%	Yes	Yes

more than you expect

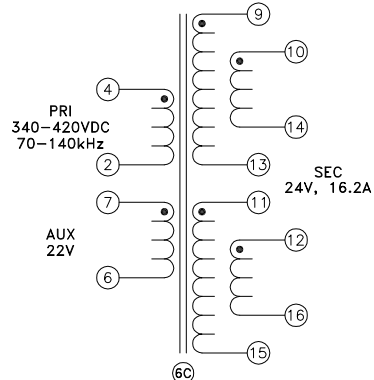


ELECTRICAL SPECIFICATIONS @ 25°C unless otherwise noted:

PARAMETER	TEST CONDITIONS	VALUE
D.C. RESISTANCE	4-2 @20°C	0.055 ohms ±20%
6C D.C. RESISTANCE	7-6 @20°C	0.090 ohms ±20%
6C D.C. RESISTANCE	9-13 @20°C	0.008 ohms max.
6C D.C. RESISTANCE	12-16 @20°C	0.008 ohms max.
6C D.C. RESISTANCE	11-15 @20°C	0.008 ohms max.
6C D.C. RESISTANCE	10-14 @20°C	0.008 ohms max.
INDUCTANCE	4-2 10kHz, 100mVAC, Ls	276uH ±10%
SATURATION CURRENT	4-2 20% rolloff from initial	3.4A
LEAKAGE INDUCTANCE	4-2 tie(7+6, 9+10+11+12+13+14+15+16), 100kHz, 100mVAC, Ls	46.0uH ±15%
DIELECTRIC	2-16 tie(4+6, 11+12+13+14), 3900VAC, 1 second	3900VAC, 1 minute
URNS RATIO	(4-2):(9-11), tie(9+10, 11+12+13+14)	8.7:1, ±2%
URNS RATIO	(4-2):(13-15), tie(11+12+13+14, 15+16)	8.7:1, ±2%
URNS RATIO	(4-2):(7-6)	8.7:1, ±2%

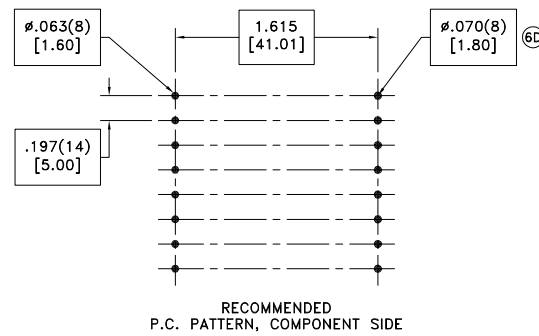


TERM. NO.'s FOR REF. ONLY



Customer to tie terminals 9+10, 11+12+13+14 and 15+16 on PC board.

Application of the transformer allows for the leadwires between terminals 9&10, 11&12&13&14 and 15&16 to solder bridge.



RECOMMENDED P.C. PATTERN, COMPONENT SIDE

GENERAL SPECIFICATIONS:

OPERATING TEMPERATURE RANGE: -40°C to +125°C including temp rise.

Designed to comply with the following requirements as defined by IEC60950-1, EN60950-1, UL60950-1/CSA60950-1 and AS/NZS60950.1:

- Reinforced insulation for a primary circuit at a working voltage of 265Vrms, 400Vpeak, Overvoltage Category II.

Designed to comply with the following requirements as defined by IEC61558-2-16 and EN61558-2-16:

- Basic insulation for a primary circuit at a working voltage of 265Vrms, 400Vpeak (operating frequency of <2MHz).

Designed to be used in resonant LLC converters.

Wire insulation & RoHS status not affected by wire color.
Wire insulation color may vary depending on availability.

DETAILS SUBJECT TO CHANGE

REV.	DATE	Packaging Specifications
6E	3/18	Method: Tray
6D	10/17	PKG-1107
6C	7/17	www.we-online.com/midcom
6B	6/17	SEE REVISION SHEET FOR REVISION LEVEL



Tolerances unless otherwise specified:
Angles: ±1° Decimals: ±.005 [.13]
Fractions: ±1/64 Footprint: ±.001 [.03]

This drawing is dual dimensioned. Dimensions in brackets are in millimeters.

DRAWING TITLE

TRANSFORMER

PART NO.

750315915

eiSos p/n: 750315915



SPECIFICATION SHEET 1 OF 1