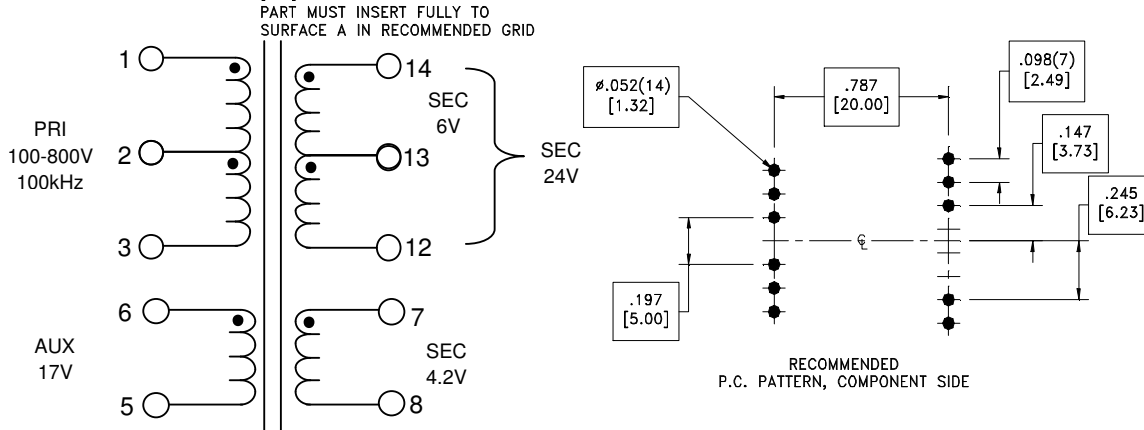
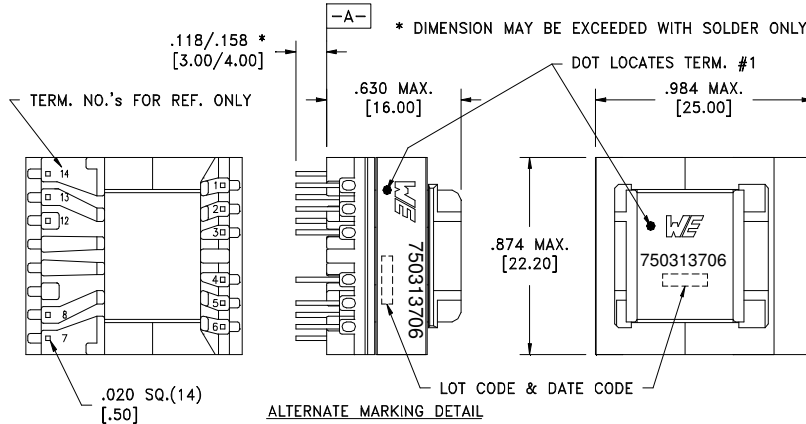


CUSTOMER TERMINAL	RoHS	LEAD(Pb)-FREE
Sn96%, Ag4%	Yes	Yes



ELECTRICAL SPECIFICATIONS @ 25°C unless otherwise noted:

- D.C. RESISTANCE (@20°C):
 1-3 , 4.05 Ohms ±10%.
 5-6 , 0.232 Ohms ±10%.
 7-8 , 0.035 Ohms ±20%.
 13-14 , 0.050 Ohms ±20%.
 12-14 , 0.227 Ohms ±10%.
- DIELECTRIC RATING:
 3000VAC, 1 minute tested by applying 3750VAC for 1 second between pins 1-14(tie 3+5, 6+7).
 500VAC, 1 minute tested by applying 625VAC for 1 second between pins 1-6.
- INDUCTANCE:
 2.00 mH ±10%, 10kHz, 100mVAC, 0mADC, 1-3, Ls.
- SATURATION CURRENT:
 950mA saturating current that causes 20% rolloff from initial inductance.
- LEAKAGE INDUCTANCE:
 21µH typ, 40µH max, 100kHz, 100mVAC, 1-3(tie 5+6, 7+8+12+13+14), Ls.
- URNS RATIO:
 (2-3):(1-2) , (1):(1.00) , ±1%.
 (1-3):(6-5) , (10.85):(1.00) , ±1%.
 (1-3):(7-8) , (38):(1.00) , ±1%.
 (1-3):(14-13) , (25.33):(1.00) , ±1%.
 (1-3):(14-12) , (7.24):(1.00) , ±1%.

OPERATING TEMPERATURE RANGE: -40°C to 125°C including temp. rise.
 Wire insulation & RoHS status not affected by wire color. Wire insulation color may vary depending on availability.

Würth Electronics Midcom Inc. Watertown, SD USA Toll Free: 800-643-2661 Fax: 605-886-4486	Unless otherwise specified, tolerances are as follows: Angles: ±1° Fractions: ±1/64 Decimals: ±.005(.127mm) Footprint: ±.001(.03mm)	more than you expect	
	Drawing Title <h1>Transformer</h1>	Drawing Number <h1>750313706</h1>	Rev. <h1>03</h1>
This drawing is dual dimensioned. Dimensions in brackets are in millimeters	Revisions: See Sheet 1	Scale ----	Spec Sheet 1 of 1

Engineer:LJG

03/26/2013