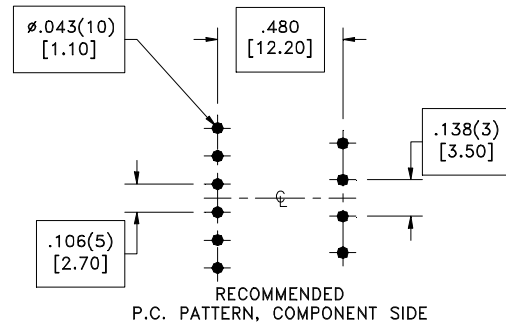
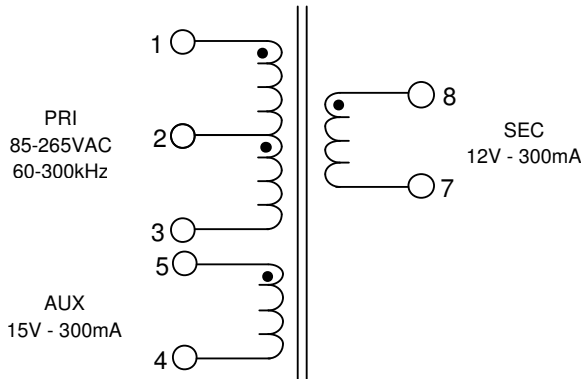
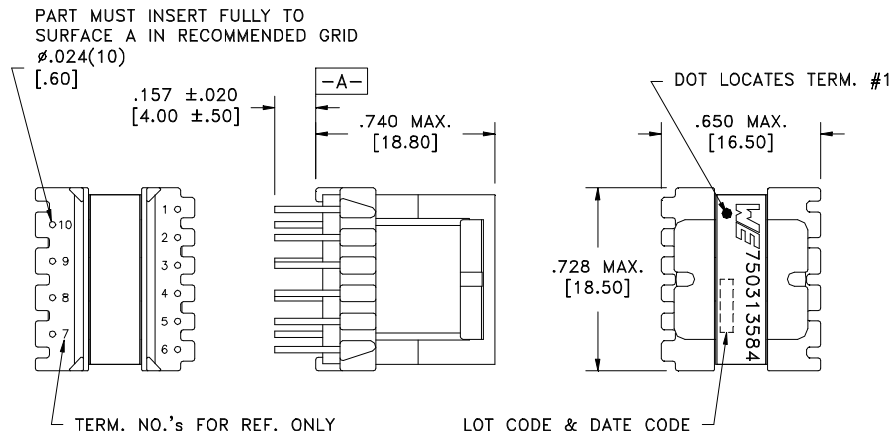


CUSTOMER TERMINAL	RoHS	LEAD(Pb)-FREE
Sn96%, Ag4%	Yes	Yes



ELECTRICAL SPECIFICATIONS @ 25°C unless otherwise noted:

- D.C. RESISTANCE (@20°C):
1-3 , 1.82 Ohms $\pm 10\%$.
4-5 , 0.420 Ohms $\pm 10\%$.
7-8 , 0.325 Ohms $\pm 10\%$.
- DIELECTRIC RATING:
2000VAC, 1 minute tested by applying 2500VAC for 1 second between pins 1-7(tie 3+4).
500VAC, 1 minute tested by applying 625VAC for 1 second between pins 1-5.
- INDUCTANCE:
1.10 mH $\pm 10\%$, 300kHz, 100mVAC, 0mADC, 1-3, Ls.
- SATURATION CURRENT:
920mA saturating current that causes 20% rolloff from initial inductance.
- LEAKAGE INDUCTANCE:
15 μ H typ, 30 μ H max, 100kHz, 100mVAC, 1-3(tie 4+5, 7+8), Ls.
- URNS RATIO:
(1-2):(2-3), (1.27):(1.00), $\pm 1\%$.
(1-3):(5-4), (5.36):(1.00), $\pm 1\%$.
(1-3):(8-7), (6.7):(1.00), $\pm 1\%$.

OPERATING TEMPERATURE RANGE: -40°C to 125°C including temp. rise.
Designed to comply with UL1310

Würth Electronics Midcom Inc. Watertown, SD USA Toll Free: 800-643-2661 Fax: 605-886-4486	Unless otherwise specified, tolerances are as follows: Angles: $\pm 1^\circ$ Fractions: $\pm 1/64$ Decimals: $\pm .005(.127\text{mm})$ Footprint: $\pm .001(.03\text{mm})$	more than you expect	
	Drawing Title Transformer	Drawing Number 750313584	Rev. 01
This drawing is dual dimensioned. Dimensions in brackets are in millimeters	Revisions: See Sheet 1	Scale ----	Spec Sheet 1 of 1