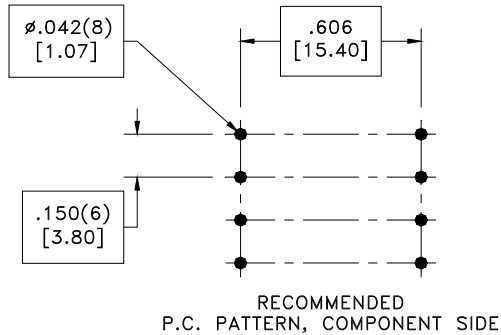
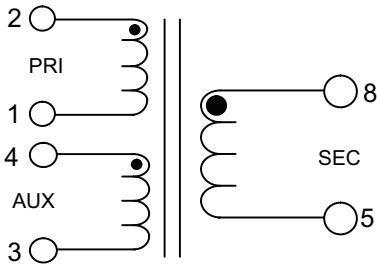
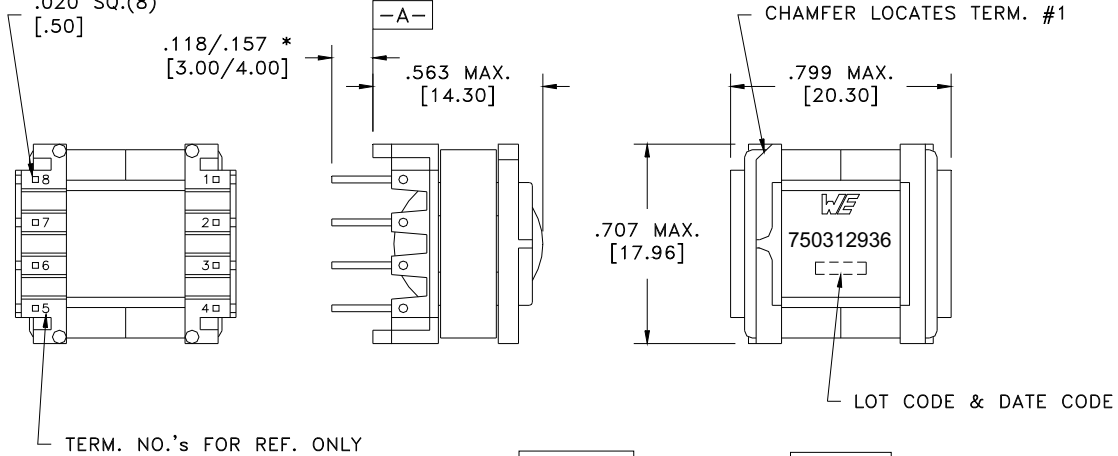


CUSTOMER TERMINAL	RoHS	LEAD(Pb)-FREE
Sn96%, Ag4%	Yes	Yes



PART MUST INSERT FULLY TO SURFACE A IN RECOMMENDED GRID
 .020 SQ.(8)
 [.50]

* DIMENSION MAY BE EXCEEDED WITH SOLDER ONLY



ELECTRICAL SPECIFICATIONS @ 25°C unless otherwise noted:

D.C. RESISTANCE (@20°C):	2-1 , 6.44 Ohms ±10%. 4-3 , 1.07 Ohms ±10%. 8-5 , 0.82 Ohms ±10%.
DIELECTRIC RATING:	1500VAC, 1 minute tested by applying 1875VAC for 1 second between pins 1-8 (tie 2+3).
INDUCTANCE:	1.8 mH ±10%, 10kHz, 100mVAC, 0mADC, 2-1, Ls.
SATURATION CURRENT:	900mA saturating current that causes 20% rolloff from initial inductance.
LEAKAGE INDUCTANCE:	27.2µH Typ. 35.0µH Max., 100kHz, 100mVAC, 2-1(4+3, 8+5), Ls.
URNS RATIO:	(2-1):(4-3), (5.888):(1.00), ±2%. (2-1):(8-5), (4.156):(1.00), ±2%.

OPERATING TEMPERATURE RANGE: -40°C to 125°C including temp. rise.

WE-Midcom, Inc. Watertown, SD USA Toll Free: 800-643-2661 Fax: 605-886-4486	Unless otherwise specified, tolerances are as follows: Angles: ±1° Fractions: ±1/64 Decimals: ±.005(.127mm)		WE-Midcom, Inc.	
	Drawing Title <h1>Transformer</h1>		Drawing Number <h2>750312936</h2>	Rev. 00
This drawing is dual dimensioned. Dimensions in brackets are in millimeters	Revisions: See Sheet 1 Engineer:KSM		Scale ----	Spec Sheet 1 of 1 01/18/2012