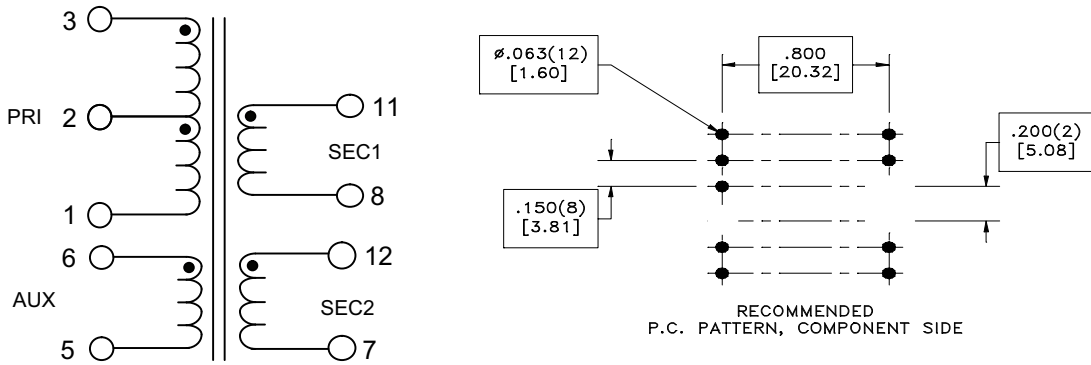
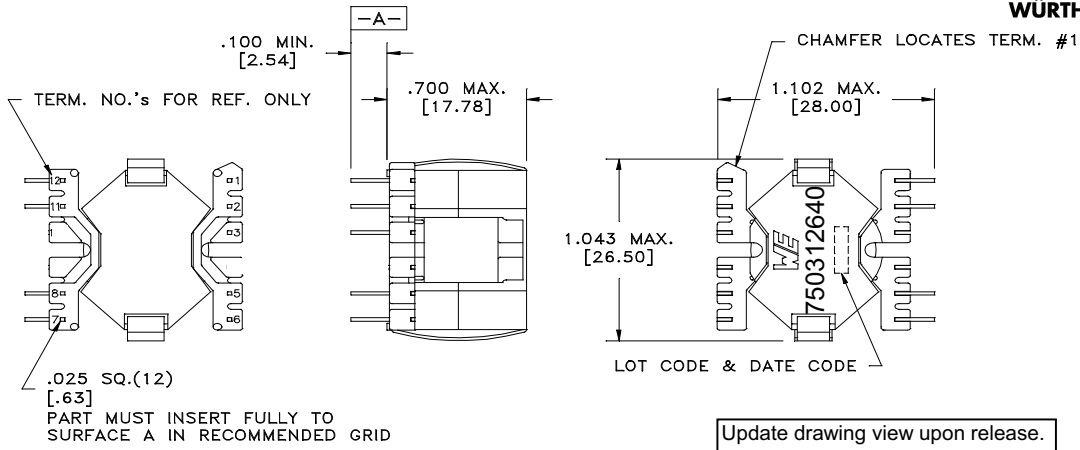


CUSTOMER TERMINAL	RoHS	LEAD(Pb)-FREE
Sn96%, Ag4%	Yes	Yes



ELECTRICAL SPECIFICATIONS @ 25°C unless otherwise noted:

D.C. RESISTANCE (@20°C):	3-1, 0.67 Ohms ±10%. 11-8, 0.152 Ohms ±10%. 6-5, 0.33 Ohms ±10%. 12-7, 0.11 Ohms ±10%.
DIELECTRIC RATING:	1500VAC, 1 minute tested by applying 1875VAC for 1 second between pins 1-12 (tie 3+5, 7+8).
INDUCTANCE:	1.50 mH ±10%, 10KHz, 100mVAC, 0mADC, 3-1, Ls.
LEAKAGE INDUCTANCE:	11.5µH Typ. 15.3µH Max., 100KHz, 100mVAC, 3-1(5+6, 8+11), Ls.
URNS RATIO:	(3-2):(2-1), (1):(1.00), ±2%. (3-1):(11-8), (4):(1.00), ±2%. (3-1):(6-5), (5.523):(1.00), ±2%. (3-1):(12-7), (11.6):(1.00), ±2%.

Designed to meet Functional Insulation Only

OPERATING TEMPERATURE RANGE: -40°C to 125°C including temp. rise.

WE-Midcom, Inc. Watertown, SD USA Toll Free: 800-643-2661 Fax: 605-886-4486	Unless otherwise specified, tolerances are as follows: Angles: ±1° Fractions: ±1/64 Decimals: ±.005(.127mm)		WE-Midcom, Inc.	
	Drawing Title <h1>Transformer</h1>		Drawing Number <h2>750312640</h2>	Rev. 00
This drawing is dual dimensioned. Dimensions in brackets are in millimeters	Revisions: See Sheet 1 Engineer:KSM		Scale ----	Sheet 2 of 5 09/01/2011