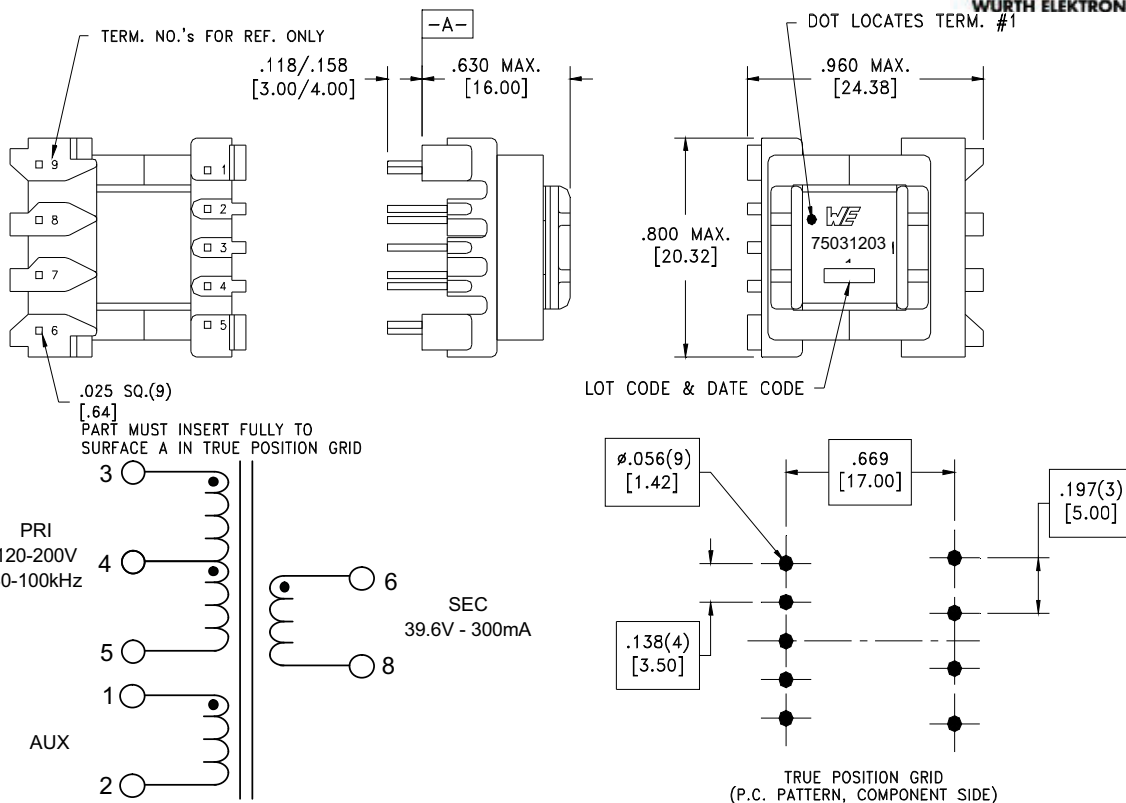


CUSTOMER TERMINAL	RoHS	LEAD(Pb)-FREE
Sn96%, Ag4%	Yes	Yes



**ELECTRICAL SPECIFICATIONS @ 25°C unless otherwise noted:**

D.C. RESISTANCE (@20°C):	1-2, 1.90 Ohms ±10%. 3-5, 6.60 Ohms ±10%. 6-8, 0.61 Ohms ±10%.
DIELECTRIC RATING:	1200VAC, 1 minute tested by applying 1500VAC for 1 second between pins 1-8(tie2+4). 500VAC, 1 minute tested by applying 625VAC for 1 second between pins 1-4.
INDUCTANCE:	1.70 mH ±10%, 10kHz, 100mVAC, 0mADC, 3-5, Ls.
SATURATION CURRENT:	1.15A saturating current that causes 20% rolloff from initial inductance.
LEAKAGE INDUCTANCE:	27.5µH Typ. 36.0µH Max., 100kHz, 100mVAC, 3-5(1+2, 6+8), Ls.
TURNS RATIO:	(4-5):(3-4), (1):(1.00), ±2%. (3-5):(1-2), (5.148):(1.00), ±2%. (3-5):(6-8), (4.245):(1.00), ±2%.

Designed to comply with the following requirements as defined by IEC60950-1, EN60950-1, UL60950-1/CSA60950-1 and AS/NZS60950.1:  
- Functional insulation for a primary circuit at a working voltage of 200VDC.

OPERATING TEMPERATURE RANGE: -40°C to 125°C including temp. rise.

WE-Midcom, Inc. Watertown, SD USA Toll Free: 800-643-2661 Fax: 605-886-4486	Unless otherwise specified, tolerances are as follows: Angles: ±1°      Fractions: ±1/64 Decimals: ±.005(.127mm)		WE-Midcom, Inc.	
	Drawing Title <b>Transformer</b>		Drawing Number <b>750312031</b>	Rev. <b>00</b>
Revisions: See Sheet 1		Scale ----	Sheet 2 of 5	
Engineer:KSM		11/11/2010		

This drawing is dual dimensioned.  
Dimensions in brackets are in millimeters