

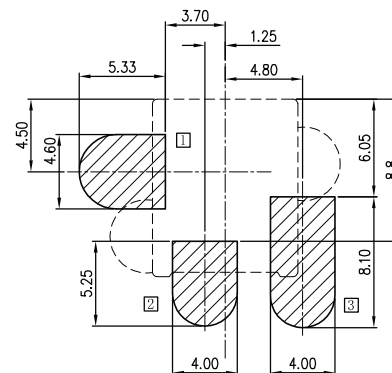
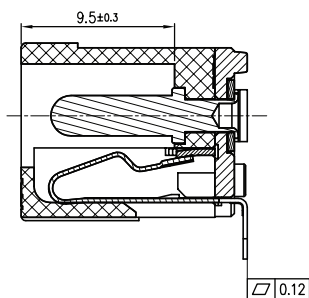
1

2

3

4

5



PCB LAYOUT - COMPONENT VIEW
TOLERANCE ± 0.05

TECHNICAL CHARACTERISTICS

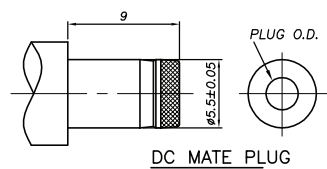
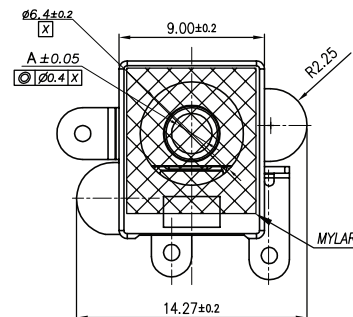
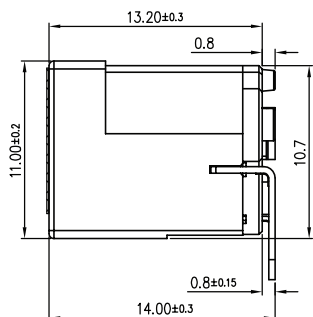
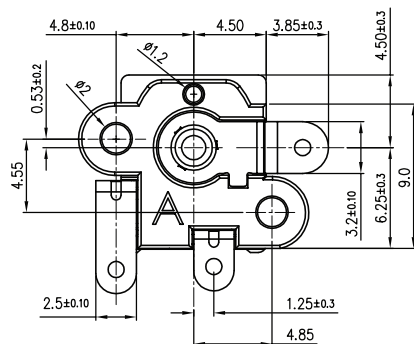
MATERIAL
INSULATOR: PA9T
FLAMMABILITY RATING: UL94-V0
COLOR: BLACK
CONTACT MATERIAL: COPPER ALLOY
CONTACT TYPE: STAMPED
PLATING:
- CENTER PIN: GOLD OVER Ni
- CENTER PIN TERMINAL: TIN OVER Ni
- SHUNT TERMINAL: TIN OVER Ni
- TIP SPRING: TIN OVER Ni
QUALITY CLASS: 5000 MATING CYLCES

ENVIRONMENTAL
OPERATING TEMPERATURE: -40°C UP TO $+85^{\circ}\text{C}$
COMPLIANCE: LEAD FREE AND ROHS

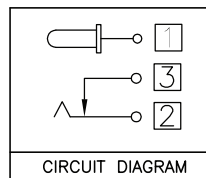
ELECTRICAL
CURRENT RATING: 3,5 A
WORKING VOLTAGE: 30 VDC
INSULATION RESISTANCE: $>100\ \text{M}\Omega$
DIELECTRIC WITHSTANDING VOLTAGE: 500 VAC/MIN
CONTACT RESISTANCE: 30 m Ω max

SOLDERING
JEDEC LEAD FREE REFLOW SOLDERING PROCESS

PACKAGING
TAPE & REEL WITH MYLAR



DC MATE PLUG

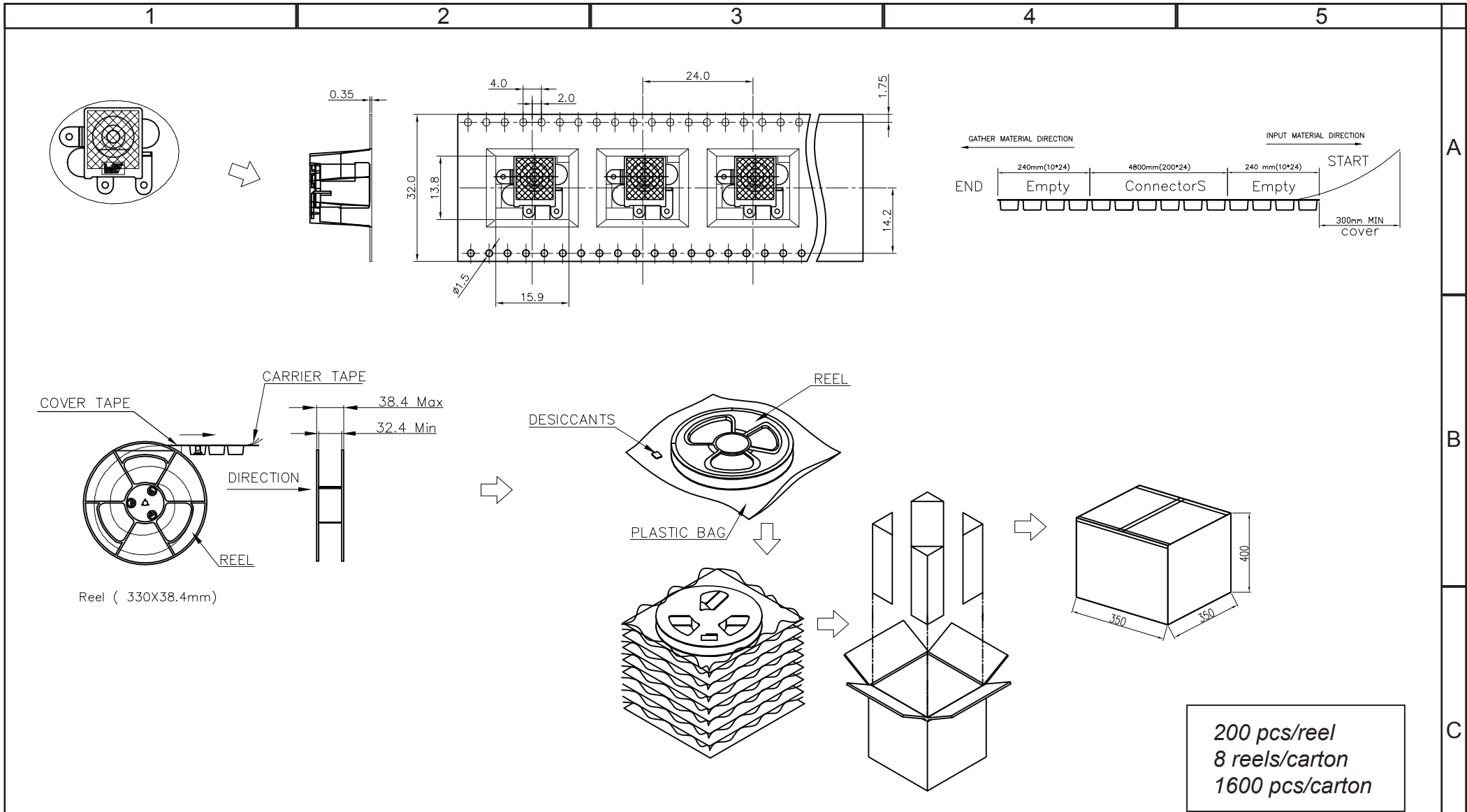


□ : TERMINAL NO.

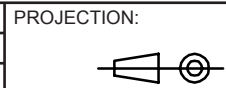
Ø A	2.0	2.5
XX	06	08
PLUG INNER Ø	$2.05^{+0.10}_{-0.00}$	$2.55^{+0.10}_{-0.00}$
PLUG OUTER Ø	5.5 ± 0.05	5.5 ± 0.05

RoHS Compliant

G				PROJECTION: 	GENERAL TOLERANCE X = ± 0.30 .X = ± 0.20 .XX = ± 0.10		
F							
E							
D							
C	18-JUL-16	DESCRIPTION	AK	APPROVAL: JTs	UNIT: MM	DESCRIPTION: WR-DCPJ - VERTICAL - SMT - CD Ø 2.0 & 2.5	
B	02-JUN-16	ELECTRICAL	AK		SCALE:		
A	26-FEB-14	PDF	AK		SHEET: 1/3		WERI PART NO: 694 1xx 210 102
REV	DATE	FILE	BY		DRAW: AK		
							SIZE A4



RoHS Compliant			
G			
F			
E			
D			
C			
B			
A			
REV	DATE	FILE	BY



APPROVAL: JTs

GENERAL TOLERANCE
 X = ± 0.50
 .X = ± 0.30
 .XX = ± 0.20

UNIT: MM
 SCALE:
 SHEET: 2/3
 DRAW: AK



DESCRIPTION: WR-DCPJ - VERTICAL - SMT - CD Ø 2.0 & 2.5

WERI PART NO: 694 1xx 210 102

SIZE
A4

200 pcs/reel
 8 reels/carton
 1600 pcs/carton

1

2

3

4

5

Cautions and Warnings:

This electronic component is designed and developed with the intention for use in general electronics equipments.

Before incorporating the components into any equipments in the field such as aerospace, aviation, nuclear control, submarine, transportation, (automotive control, train control, ship control), transportation signal, disaster prevention, medical, public information network etc. where higher safety and reliability are especially required or if there is possibility of direct damage or injury to human body, Würth Elektronik must be asked for a written approval.

In addition, even electronic component in general electronic equipments, when used in electrical circuits that require high safety, reliability functions or performance, the sufficient reliability evaluation-check for the safety must be performed before by the user before usage.

A

B

C

RoHS Compliant

G				PROJECTION: 	GENERAL TOLERANCE .X = +/- 0.2 .XX = +/- 0.15		
F							
E							
D							
C				APPROVAL: JC	UNIT: MM	DESCRIPTION: DISCLAIMER	SIZE A4
B					SCALE:		
A	10-SEP-14	PDF	QL		SHEET: 3/3	WERI PART NO: DISCLAIMER	
REV	DATE	FILE	BY		DRAW: QL		

D