

TECHNICAL CHARACTERISTICS

MATERIAL
 ICONTACT MATERIAL: COPPER ALLOY
 CONTACT TYPE: STAMPED
 CONTACT PLATING: TIN
 QUALITY CLASS: 25 MATING CYCLES
 PITCH: FOR 3.00MM

ENVIRONMENTAL
 OPERATING TEMPERATURE: -25 UP TO 105°C
 COMPLIANCE: LEAD FREE AND ROHS

ELECTRICAL
 CURRENT RATING: 5A
 WORKING VOLTAGE: 250V AC
 INSULATOR RESISTANCE: >1000 MOHM
 DIELECTRIC WITHSTANDING VOLTAGE: 1500V AC/MN
 CONTACT RESISTANCE: 10 mOHM MAX

WIRE DIMENSION:
 AWG: AWG 20 - 24

PACKAGING
 REEL OF 1000PCS

DIMENSION

AWG	A	B	C	D
20 - 24	2.50	2.95	2.30	2.00

RoHS Compliant

G			
F			
E			
D			
C			
B	20-JUN-12	DIM	GG
A	12-MAR-09	PDF	JP
REV	DATE	FILE	BY

PROJECTION:	
APPROVAL: RJ	

GENERAL TOLERANCE
.X = ± 0.2
.XX = ± 0.15
UNIT: MM
SCALE:
SHEET: 1/2
DRAW: MIKE

DESCRIPTION: 3.00MM FEMALE CRIMP TERMINAL	
WERI PART NO: 66210113722	

SIZE
A4

1

2

3

4

5

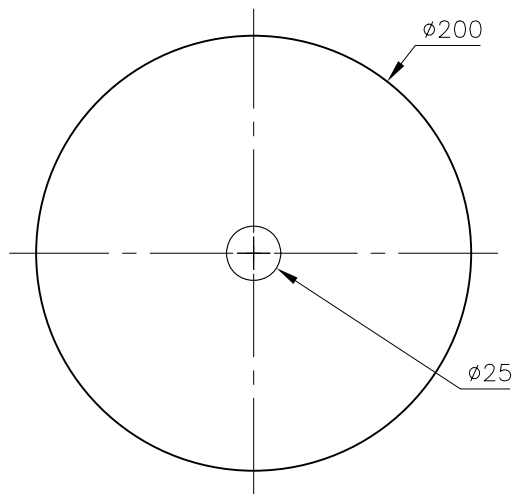
A

B

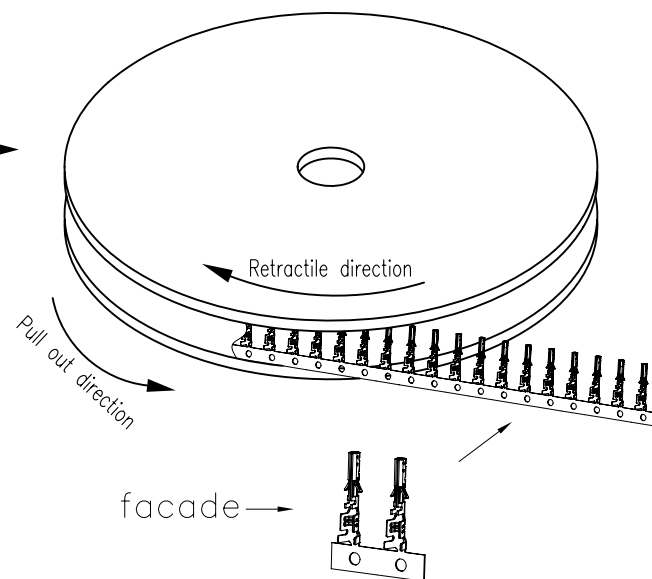
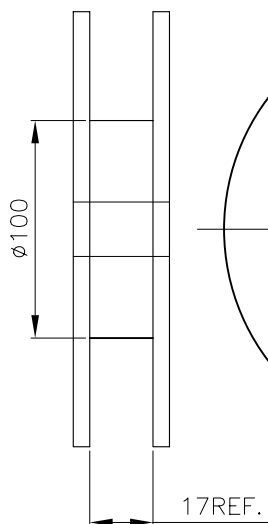
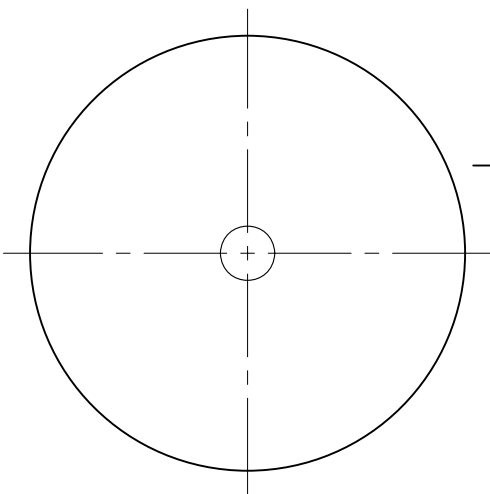
C

D

front view

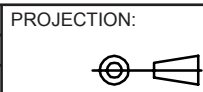


back view



packing Quantity:1000pcs/Reel

RoHS Compliant			
G			
F			
E			
D			
C			
B			
A			
REV	DATE	FILE	BY



GENERAL TOLERANCE
 .X = ± 0.2
 .XX = ± 0.15



APPROVAL:

UNIT: MM
 SCALE:
 SHEET: 2/2
 DRAW: MIKE

DESCRIPTION: 3.00MM FEMALE CRIMP TERMINAL
 WERI PART NO: 66210113722

SIZE
A4