

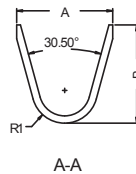
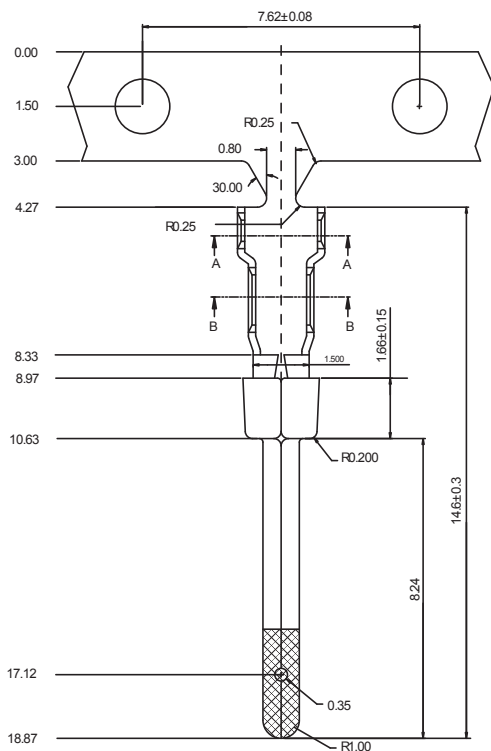
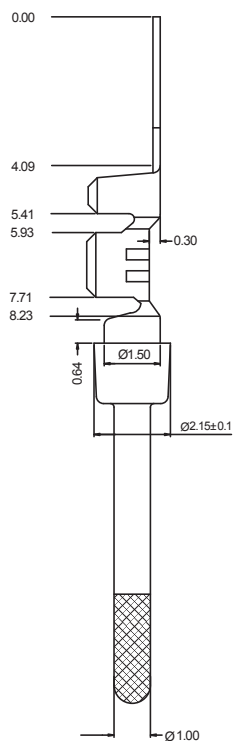
1

2

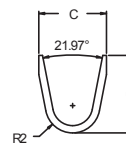
3

4

5



A-A



B-B

TECHNICAL CHARACTERISTICS

MATERIAL
 CONTACT MATERIAL: COPPER ALLOYS
 CONTACT TYPE: STAMPED
 CONTACT PLATING: SELECTIVE GOLD
 QUALITY CLASS: 50 MATING CYCLES

ENVIRONMENTAL
 OPERATING TEMPERATURE: -40 UP TO 85°C
 FLAMABILITY RATING: UL94-V0
 COMPLIANCE: LEAD FREE AND ROHS

ELECTRICAL
 CURRENT RATING: 3 A MAX
 WORKING VOLTAGE: 250 VAC
 CONTACT RESISTANCE: 50 mOHM MAX

PACKAGING
 X = 0: 5 KPCS REEL
 X = 1: 500 PCS REEL

DIMENSION

AWG	A	B	C	D	R1	R2
AWG 20-22	2.50	2.70	1.86	2.13	0.90	0.75

RoHS Compliant

PROJECTION:



GENERAL TOLERANCE

.X = ± 0.2 .XX = ± 0.15 

APPROVAL: JTs

UNIT: MM

DESCRIPTION: D SUB MALE CRIMP CONTACT

SIZE

SCALE:

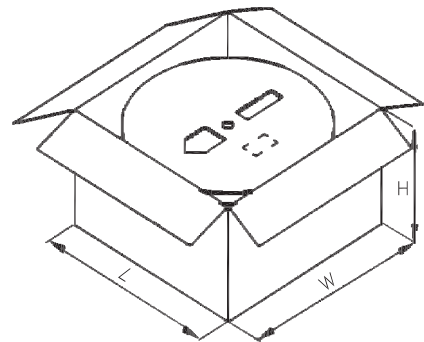
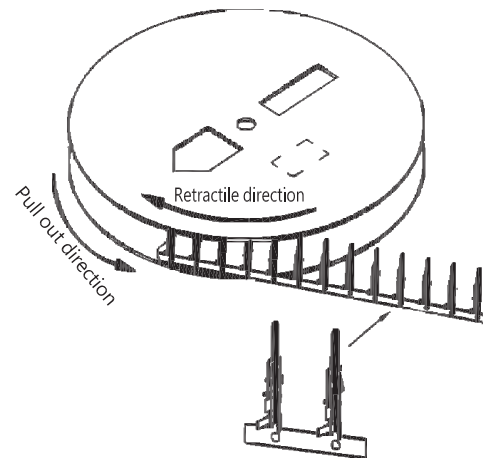
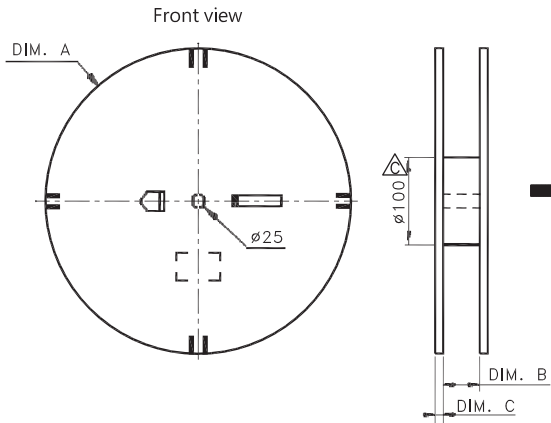
WERI PART NO: 618 x04 137 22

A4

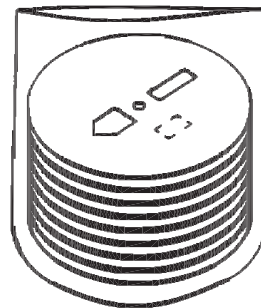
SHEET: 1/3

DRAW: JOE

REV	DATE	FILE	BY
H	19-JAN-16	TPK	AK
I			
J			



Several Reel/Carton



Several Reel/Bag

Note:

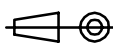
- 1.All dimensions meet EIA-481-3 requirements.
- 2.Material: WH Conductive polystyrene Alloy.
- 3.Thickness: 0.50 ± 0.05 mm
- 4.Component load per reel: See table
- 5.Reel size: Diameters 100*25, T=DIM.B
- 6.Reel chipboard size: Diameters DIM.A*25, T=DIM.C
- 7.Bag size: See table
- 8.Carton size: See table

Q'TY/REEL	Reel/Carton	DIM. A	DIM. B	DIM. C
5K PCS	5	0400	23	7
500 PCS	6	0250	30	3

Q'TY/Carton	Bag size	Carton Dimensions L*W*H
25K PCS	600*600*0.06mm	406(L)*406(W)*184(H)
2.5K PCS	460*375*0.06mm	260(L)*260(W)*240(H)

RoHS Compliant

G			
F			
E			
D			
C			
B			
A			
REV	DATE	FILE	BY

PROJECTION:


GENERAL TOLERANCE
 .X = ± 0.2
 .XX = ± 0.15



APPROVAL: JTs

UNIT: MM
 SCALE:
 SHEET: 2/3
 DRAW: AK

DESCRIPTION: D SUB MALE CRIMP CONTACT
 WERI PART NO: 618 x04 137 22

SIZE
A4

1

2

3

4

5

Cautions and Warnings:

This electronic component is designed and developed with the intention for use in general electronics equipments.

Before incorporating the components into any equipments in the field such as aerospace, aviation, nuclear control, submarine, transportation, (automotive control, train control, ship control), transportation signal, disaster prevention, medical, public information network etc. where higher safety and reliability are especially required or if there is possibility of direct damage or injury to human body, Würth Elektronik must be asked for a written approval.

In addition, even electronic component in general electronic equipments, when used in electrical circuits that require high safety, reliability functions or performance, the sufficient reliability evaluation-check for the safety must be performed before by the user before usage.

A

B

C

RoHS Compliant

G				PROJECTION: 	GENERAL TOLERANCE .X = +/- 0.2 .XX = +/- 0.15		
F							
E							
D							
C				APPROVAL: JC	UNIT: MM	DESCRIPTION: DISCLAIMER	SIZE A4
B					SCALE:		
A	10-SEP-14	PDF	QL		SHEET: 3/3	WERI PART NO: DISCLAIMER	
REV	DATE	FILE	BY		DRAW: QL		

D