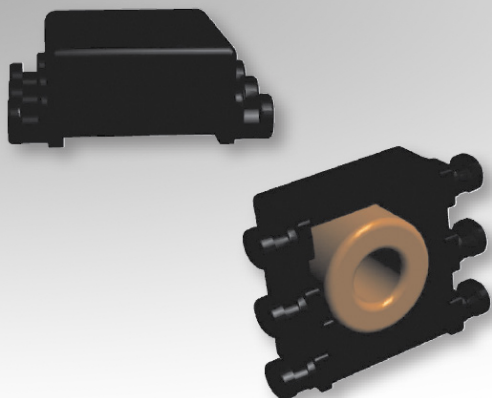


# Toroid Headers

## TOR-6P-HT3.6

6-Terminal, SMT



### Characteristics:

This SMT toroidal header was developed with plastic terminals. It is designed with a low profile and compact footprint for functional insulation cases.

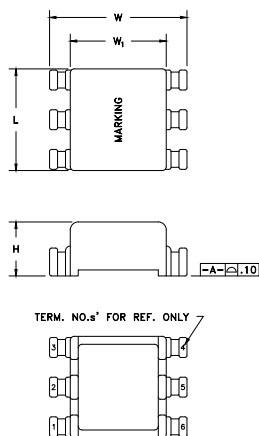
### Applications:

- CMC
- Gate drive
- Inductor
- Signal isolation
- Telecom

### Technical Data:

Order Code	Type of Insulation	$A_e$ (mm <sup>2</sup> )	$L_e$ (mm)	$V_e$ (mm <sup>3</sup> )	$\emptyset$ OD max. (mm)	Cavity Depth (mm)	L (mm)	W (mm)	H (mm)	$W_1$ (mm)
250-0593	Functional	2.16	9.71	20.96	5	2.78	6.73 max.	9.02 max.	3.56 max.	6.12 ref.

### Dimensions:



### Footprint (mm):

