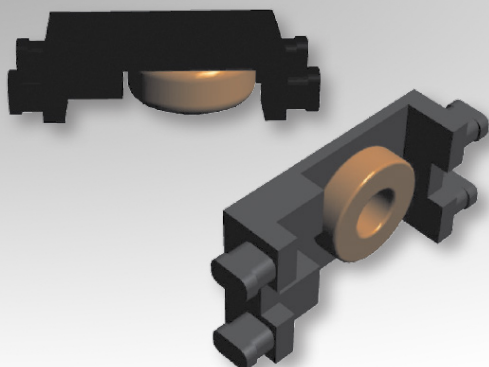


# Toroid Headers

## TOR-4P-HT2-SFTY

4-Terminal, SMT



### Characteristics:

This SMT toroidal header was developed with plastic terminals. It is designed with a low profile and an extended rail for special safety cases.

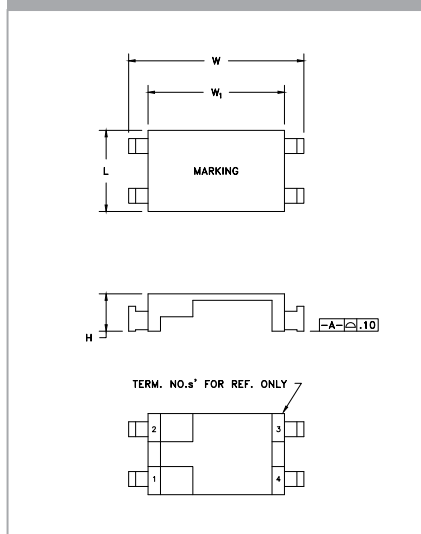
### Applications:

- Analog modem
- Gate drive
- High voltage isolation
- Power line communication
- Signal isolation
- Telecom

### Technical Data:

Order Code	Type of Insulation	Creepage (mm)	A <sub>0</sub> (mm <sup>2</sup> )	L <sub>0</sub> (mm)	V <sub>0</sub> (mm <sup>3</sup> )	Ø OD max. (mm)	Cavity Depth (mm)	L (mm)	W (mm)	H (mm)	W <sub>i</sub> (mm)
250-0511	Basic/Supplementary	1.65	0.61	7.19	4.37	4	1.57	4.39 max.	9.14 max.	1.98 max.	6.96 ref.

### Dimensions:



### Footprint (mm):

