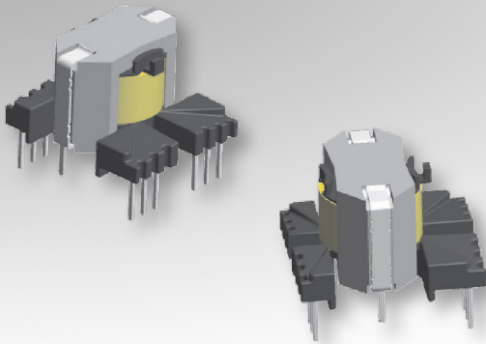


Bobbin Packages

RM6

12-Terminal EXT, THT, Vertical



Characteristics:

This TH RM6 package was developed for special safety cases and compact footprint requirements. It features self-shielding cores for EMI improvement, large core cross-sectional area for high power density, and many terminals for multiple outputs, split coils, or parallel high current winds.

Applications:

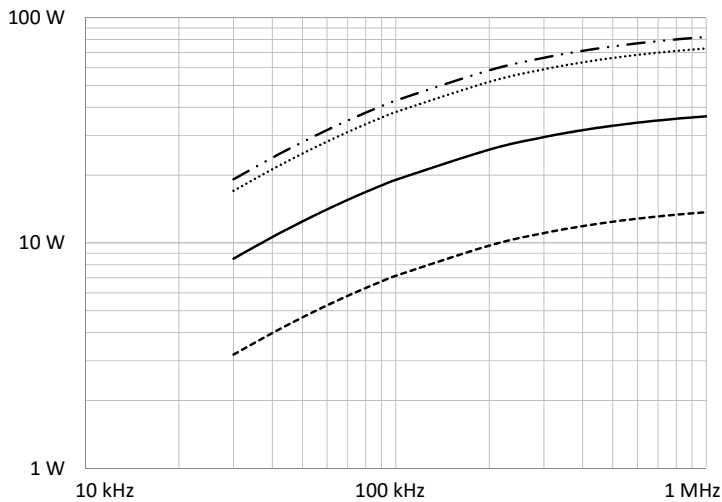
- Offline
- Industrial controls
- Lighting
- Metering
- White goods
- Telecom
- Charging
- Stand-by power

Technical Data:

Order Code	Type of Insulation	Winding Width (mm)	Winding Build (mm)	Winding Perimeter (mm)	A _c (mm ²)	L _e (mm)	V _e (mm ³)	Core Order Code (Power)
070-6915	Reinforced	6.4	2.39	23.37	31	27	837	150-2622

Order Code	L (mm)	W (mm)	H (mm)	G (mm)
070-6915	20.07 max.	23 max.	15 max.	4.5 ±0.25

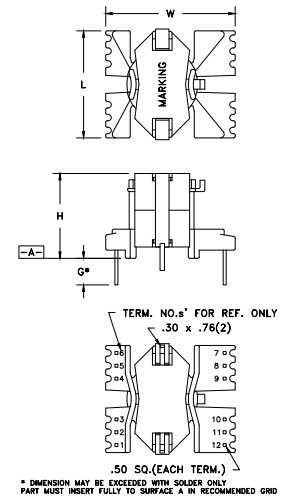
Estimated Maximum Power Level:



- Half-Bridge / Forward
- DC-DC Flyback
- Push-Pull
- .-.- Offline Flyback

All curves are DC-DC unless otherwise noted. For offline applications, the power level must be derated as shown in the flyback curves.

Dimensions:



Footprint (mm):

